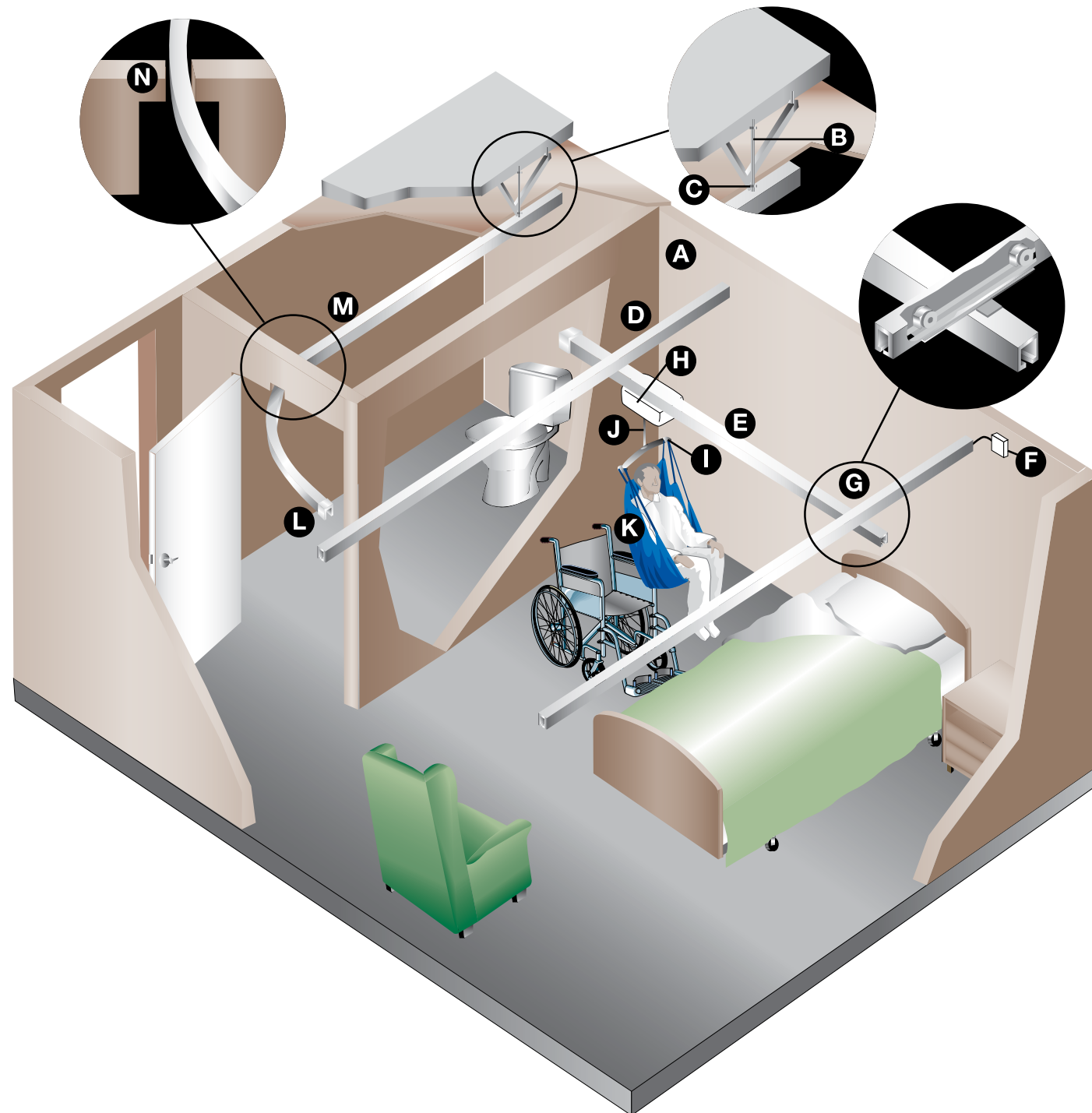


ANATOMY OF A CEILING LIFT SYSTEM



A. STRUCTURAL ATTACHMENT POINT

The attachment point where the ceiling track is installed to the building ceiling structure.

B. THREADED ROD

This acts as the attachment point between the ceiling track bracket and the upper structure when the ceiling is suspended.

C. CEILING BRACKET

Ceiling brackets support the lift track.

D. CEILING TRACK

The ceiling track serves to carry the ceiling lift and/or track accessories.

E. TRAVERSE BOOM (TRACK)

An option with ceiling track is an X-Y Gantry or Room Covering system. The traversing boom moves along the fixed rails to allow for use of the lift in all areas that the track encompasses.

F. CHARGING STATION

Can be located at any point along the rail.

G. X-Y GANTRY

Wheels ride inside the fixed rails and are attached to the traverse boom.

H. CEILING LIFT UNIT

A variety of lifts are available in differing weight capacities.

I. CARRY BAR

Attached to ceiling lift strap. Acts as the attachment point to the patient Sling.

J. LIFT STRAP

Connects lift to carry bar. Raises and lowers via controls on hand control.

K. SLING

Slings support safe transport or positioning of patient. Sling straps connect to Carry Bar.

L. GATE ASSEMBLY

Facilitates the transfer from an X-Y gantry system to a linear rail leading to an adjacent room.

M. LINEAR TRACK

A section of track that can access various points in the room. Available in various lengths and curved designs.

N. MODIFIED DOOR HEADER

Opening above doorway to allow the track to pass through into another room.

ANATOMY OF A CEILING LIFT

A. TRAVERSE WHEEL SET

Wheels that are inside the ceiling track that allow the lift to move freely. Manual and power traverse options available.

B. CHARGER CONTACT

Points of contact between lift and the charger assembly.

C. HAND CONTROL

Device with 2, 4, or 6 buttons that controls ceiling lift operation. Prism Medical hand controls are pneumatic, making them completely waterproof. Infrared hand controls are available.

D. CURLY CORD AIRLINE

An expanding-retracting cord connecting the pneumatic hand control to the lift.

E. GROMMET

Connection point between airline and lift. Designed for easy connection and easy maintenance/replacement.

F. CARRY BAR

Used to suspend the sling from four attachment points. Optional locking clips are available. Additional designs are available for specialty applications; including morgues, operating rooms and bariatric applications.

G. LIFT STRAP

Raises and lowers. Connects carry bar to lift. Strength exceeds four times lift capacity.

H. EMERGENCY PULL CORD

Pulling the cord will disconnect all power to the unit. In the event of hand control malfunction, pulling and holding the cord will lower carry bar using separate circuitry.

I. MANUAL LOWERING ACCESS

Using an allen key, the lift can be lowered or raised manually.

J. DIGITAL DISPLAY

LCD readout displays lift operation, battery life, lift counter and diagnostics. Entering programming mode, user can control various options.



K. REMOVABLE COVER

Cover can be easily removed exposing lift components.

L. LABEL

Provides information including production date, serial number, lift model and weight capacity.

M. TRAVERSE ARROW DIRECTIONS

Only present on Power Traversing models. Color coded to indicate horizontal movement corresponding with color-coded buttons on hand control.

N. LED INDICATOR

Illuminates green when lift is "on" and changes to amber when lift is charging.

CEILING LIFTS AT A GLANCE

LIFT MODELS	C-300	C-450	C-625	C-1000	P-300	P-440	P-600
Fixed	•	•	•	•			
Portable					•	•	•
Manual traverse	•	•	•	•		•	•
Power traverse		•	•	•			
Power X-Y system		•	•	•			
Lifting weight capacity	300 lbs (136 kg)	450 lbs (204 kg)	625 lbs (283 kg)	1000 lbs (454 kg)	300 lbs (136 kg)	440 lbs (200 kg)	600 lbs (273 kg)
Page	7	6	6	7	8	8	9

FEATURES							
Pneumatic controls		•	•	•		•	•
Infrared remote option		•	•				
Electric controls	•						
On-board controls						•	•
Digital display (LCD)		•	•	•			•
Audible low battery	•	•	•	•	•	•	•
Soft start-stop	•	•	•	•	•	•	•
Auto shut-off	•	•	•	•	•	•	•
Changeable carry bar	•	•	•	•			
Return to charge option		•	•	•			
Constant Charge option		•	•	•			

SAFETY FEATURES							
Emergency stop	•	•	•	•	•	•	•
Emergency power lowering	•	•	•	•	•	•	•
Emergency manual raising or lowering		•	•	•			•
Fail safe over-speed governor	•	•	•	•	•	•	•
Built-in safety limits	•	•	•	•	•	•	•
Slack strap sensor	•	•	•	•	•	•	•

SPECIFICATIONS							
24 volt battery system		•	•	•		•	•
Up/Down speed	1.5"/sec (3.8 cm/sec)	1.8"/sec (4.5 cm/sec)	1.8"/sec (4.5 cm/sec)	1.0"/sec (2.5 cm/sec)	1.4"/sec (3.6 cm/sec)	1.5"/sec (3.75cm/sec)	1.8"/sec (4.5 cm/sec)
Traverse speed		4 speeds	4 speeds	4 speeds			
Lift weight	5 lbs (2.26 kg)	22 lbs (10 kg)	22 lbs (10 kg)	25.5 lbs (11.1 kg)	6.7 lbs (3.1 kg)	10.5 lbs (4.8 kg)	24 lbs (10.9 kg)
Lifting height	82" (2.1 m)	80" (2.0 m)	80" (2.0 m)	77" (1.96 m)	79" (1.96 m)	80" (2.0 m)	80" (2.0 m)



C-450 & C-625

FIXED CEILING TRACK LIFT

The Prism Medical C-Series delivers innovation, affordability and quality. Ceiling lifts dramatically reduce injuries resulting from the handling of patients/residents in both institutional and homecare settings. The C-Series are designed with a full set of standard features and can be safely operated by a single caregiver. Built for quiet operation, the C-Series provides a smooth and effortless transfer which safely enhances the working conditions of caregivers. The Prism Medical C-series lift has 4 weight capacities, including the C-450 at 450 lbs. maximum capacity and the C-625 at 625 lbs. maximum load, to provide supreme flexibility in the type of patients that can be transferred. For additional flexibility, power traverse is an option.

Incredibly compact but powerful, the C-Series looks good in any setting. With features like a digital display and programmability, a host of standard safety features, and a modular design that allows for easy preventative maintenance, the C-Series is the most advanced ceiling lift available.

See page 53 for detailed specifications.

EMERGENCY PULL CORD

The red emergency cord disconnects power and immediately stops the lift. Pulling and holding the Emergency pull cord will lower the client safely in the event of malfunction.



PRODUCT HIGHLIGHTS

- Most compact lift of its class which allows for at least 7" (18 cm) of additional lifting height
- Quick lifting speed to reduce patient transfer times
- Quick change batteries for reduced service time
- Audible low battery indicator and visual battery/charge level display
- Digital display that indicates number of lifts, battery levels, and lift status
- Auto shut-off when not in use to conserve battery life
- 80" (2.0 m) strap vertical movement allows you to easily lift from the floor
- Available Return to Charge and Constant Charge options
- Available with Omni-Charge constant charge technology



MANUAL EMERGENCY LOWERING/RAISING DEVICE

Found on the side of the lift is a manual option operated by an allen key.



DIGITAL READOUT

The display shows battery life, total lifts performed and total time in operation. This feature also allows the user to walk through the programming of several options. The diagnostic mode aids in troubleshooting.



PNEUMATIC HAND CONTROLS

Prism Medical's pneumatic hand controls are completely waterproof and offer superior reliability.



INFRARED HAND CONTROL

In order to offer complete flexibility in operation of the C-Series lifts, Prism Medical offers optional controls via an Infrared handset.

C-300

CEILING LIFT

C-300 Ceiling Lift has been designed with needs of Residential Care users in mind. The C-300's technological innovation, compact size and rugged construction make the C-300 the most affordable Ceiling Lift available. Ideal for permanent, temporary or rental placements. It is easily used with fixed, ceiling-installed track, or temporary non-installed, portable track systems.

See page 54 for detailed specifications.

PRODUCT HIGHLIGHTS

- Incredibly compact (6.3 " x 4.7 ")
- Transportable
- Safe working load capacity of 300 lbs.
- Lightest ceiling lift available weighing only 5.7 lbs.
- Detachable-swivel-tilt trolley permits simple, light portability between track locations
- Extended span carry-bar (20.5" or 520 mm) to enhance comfort for all clients
- Quick Release System for simple interchange of Carry Bars
- Affordability and low cost maintenance



ELECTRIC HAND CONTROLS

Prism Medical's electric hand control is available for the C-300.

C-1000

FIXED CEILING TRACK LIFT

Bariatric clients often exceed a lift's safe working load creating an unsafe working environment.

Prism Medical's C-1000 Bariatric Lift, the strongest ceiling lift in its class, makes it possible to safely lift or transfer clients of all sizes with dignity & respect.

See page 55 for detailed specifications.

PRODUCT HIGHLIGHTS

- Cycle Count
- Emergency Stop/Emergency Lower
- Four carry bar designs for maximum comfort & functionality
- Quick Release System for simple interchange of Carry Bars
- Available option for weigh scale
- Optional Constant Charge
- Tandem Lifting is possible on dual traverse gantry





P-300

PORTABLE LIFT

With its 300 lb. capacity and lightweight design (6.7 lb.) this product will meet the needs of even the most demanding environments. This device can be easily relocated to multiple rooms with little effort from the caregiver. This unit is designed to be used with Prism Medical's complete range of slings ensuring that regardless of the client's needs or environment, this product will address the lifting and handling issues encountered by today's caregiver.

See page 56 for detailed specifications.

PRODUCT HIGHLIGHTS

- Optional, swivel/tilt trolley and an extended span carry-bar for wide torso clients
- Easily used with fixed, ceiling-installed track or temporary non-installed, portable track systems
- Soft start/stop provides comfortable patient transfers
- Audio and visual low battery indicator
- Safety mechanisms: overspeed governor, built in overload protection, and slack strap sensor

ELECTRIC HAND CONTROLS

Prism Medical's electric hand control is available for the P-300.



P-440

PORTABLE LIFT

The P-440 solves many of the problems that make patient transfer complex or difficult. It is lightweight, portable, and designed to provide complete control for the caregiver. In addition, it offers a wide range of safety mechanisms to assure confidence throughout handling occasions. The P-440's robust design and 440 lbs (200 kg) weight capacity ensure that it can be used in the most demanding environments.

See page 57 for detailed specifications.

PRODUCT HIGHLIGHTS

- Lightweight and portable.
- Integral full-width carry bar with unique contoured shape.
- On-board controls.
- The P-440 is charged with a standard plug and socket.
- Safety mechanisms include an over-speed governor, built-in safety limits, slack strap sensor and emergency lowering.
- Patient safety is assured with positive locking latches, securing the sling each and every time.
- The P-440 offers a comfortable built-in ergonomic handle, allowing the caregiver to carry and transport with ease. The handle also doubles to allow for transfers through a door with no modifications required to the door header.

P-600

PORTABLE LIFT

The P-600 portable ceiling lift has a weight capacity of 600 lbs making it suitable for the institutional environment. The P-600 is specifically designed for environments where the demand for higher weight capacities is a reality. With the use of the optional cart, this lift can be moved from room to room lowering the initial investment for facilities. The innovative design allows the client to be lifted comfortably using the folding carry bar. The P-600 is designed with a full set of standard features including on-board controls and emergency lowering. Equipped with a digital display, the P-600 offers real-time feedback on battery life and total number of lifts performed.

See page 58 for detailed specifications.



PRODUCT HIGHLIGHTS

- Integral full-width carry bar with unique contoured shape.
- On-board controls.
- The P-600 is charged with a standard plug and socket.
- Safety mechanisms include an over-speed governor, built-in safety limits, slack strap sensor and emergency lowering.
- Patient safety is assured with positive locking latches, securing the sling each and every time.
- The P-600 incorporates an articulating carry bar to allow it to sit safely and upright on a cart for easy transport.



P-600 ON-BOARD CONTROLS

On-board controls compliment a pneumatic hand control and provide additional control options for maneuvering the lift.

The digital display indicates battery life and offers a lift counter to indicate when preventative maintenance is required.

PNEUMATIC HAND CONTROLS

Two button hand controls enable mobile lift control.



FIXED LIFT ACCESSORIES



EXTRA WIDE CARRY BAR

For use of clients with a large torso or generally over 375 lbs., the extra wide Carry Bar makes for comfortable and safe transfers and easy sling attachment. Prism Medical's Quick Release System attachment makes it simple to swap carry bars to add a detachable scale.



CARRY BARS C-SERIES AND C-SERIES LOCKING

A suspended bar from the lift strap utilized for connecting slings and carrying the patient. Available with or without locking clips.



TANDEM BARIATRIC SYSTEM CARRY BAR

Prism Medical's Tandem Bariatric Carry Bar allows users to take full advantage of dual motor positioning, giving greater control of a client's weight between the two (torso and leg) lifting motors.



4-POINT CARRY BAR

The Four Point (X-Style) Carry Bar with Quick Release has broadly-spaced attachment points for a slips shoulder and leg straps, improving the comfort of wide clients. The Quick Release System permits easy interchange of Carry Bars, while the sling strap's multiple loops allow a large range of client positioning.



ROOM TO ROOM CARRY BAR

The Room to Room (RTR) Carry Bar is equipped with two attachment points to allow a carabineer to clip in place. With two lifts installed on opposite sides of a door a transfer can be completed through the door with no modification to the door header.



MORGUE CARRY BAR

The Morgue Carry Bar is used in conjunction with the Morgue Sling (4 Bands) to allow for optimal transfers in morgue applications. The Morgue Carry Bar has a weight capacity of 800 lbs (363 kg).



CARRY BAR HOLDER

The Carry Bar Holder offers a means to store the carry bar against the wall and a convenient location to store slings.



QUICK RELEASE SYSTEM

The exclusive QRS Carry Bar attachment permits you to change you Bariatric lift's carry bar or scale quickly and easily – allowing an efficient means to switch between Bariatric and standard carry bars. Compatible with all Prism Medical lifting accessories, QRS's user-friendly lever requires no tools and is simple enough to be operated by finger-tip.



CHARGER END-STOP

A Charger End-Stop is used with lifts permanently installed in the track (C-Series and TA Plus). It acts as both an end-stop and the charger docking station.



MID-TRACK CHARGER STATION

The Mid-Track Charger allows the lift to be charged at any location along the track.

PORTABLE CEILING LIFT ACCESSORIES



TROLLEY ASSEMBLY

The swivelling portable trolley is inserted into the track to act as wheels for portable ceiling lifts. One trolley is required for each track location.



QUICK CURVE TROLLEY

This swivelling trolley is specifically designed for use with the Quick Curve track design (see page 14) allowing for an 8" turning radius.



P-300 TROLLEY

The swivelling portable trolley is inserted into the track to act as wheels for ultra-portable 300 lbs. ceiling lifts. One trolley is required for each track location.



C-300 TROLLEY

This swivelling trolley is specifically designed for use with the ultra-portable 300 lbs. lift capacity C-300 lift. The aluminum shackle clasp allows for safe yet convenient detachment and attachment for patient handling on the go.



FIXED LANYARD

Fixed lanyards are available in 12", 24", and 36" lengths to accommodate 8', 9' and 10' ceilings. These are attached to the portable trolley to facilitate the attachment of the portable ceiling lift.



ADJUSTABLE LANYARD 12-16", 16-24" AND 24-40"

Adjustable lanyards are available in three different lengths to accommodate different ceiling heights. These are attached to the portable trolley to facilitate the attachment of the portable ceiling lift.



TRANSPPOINT END-STOP 18-24", 24-36" AND 30-48"

Transpoint End-Stops come in three different lengths to accommodate different ceiling and door heights. These are attached to the track at door headers (or ceiling height changes) to allow for a transfer through the door without requiring any door header modifications.



ALUMINUM REACHER

Used to attach the portable lift to the trolley. Available in 24" and 36" designs to accommodate different ceiling heights.

CEILING LIFT WEIGH SCALE OPTIONS

C-SERIES FIXED WEIGH SCALE KIT

The C-Series Fixed Weigh Scale Kit is sold complete with all the hardware to attach it to a C-Series lift strap. The weigh scale offers a digital readout in either pounds or kilograms.



SCALE ASSEMBLY KIT FOR C-SERIES SHACKLE ARM

The C-Series Scale Kit for Shackle Arm allows the scale assembly to be portable and attached to multiple lifts that are equipped with a Shackle Arm assembly.



QUICK RELEASE SCALE

The exclusive QRS Carry Bar attachment permits you to change your Bariatric lift's Carry Bar or scale quickly and easily – allowing an efficient means to switch between Bariatric and standard carry bars. Compatible with all Prism Medical lifting accessories, QRS's user-friendly lever requires no tools and is simple enough to be operated by finger-tip.



PORTABLE CEILING LIFT WEIGH SCALE

The Portable Weigh Scale can be used with the P-440 and the P-600 Ceiling Lifts.



C-SERIES SHACKLE ARM ASSEMBLY

The Shackle Arm Assembly is attached to the C-Series Lift Strap and Carry Bar and allows the attachment of the Scale Assembly Kit for C-Series Lifts.

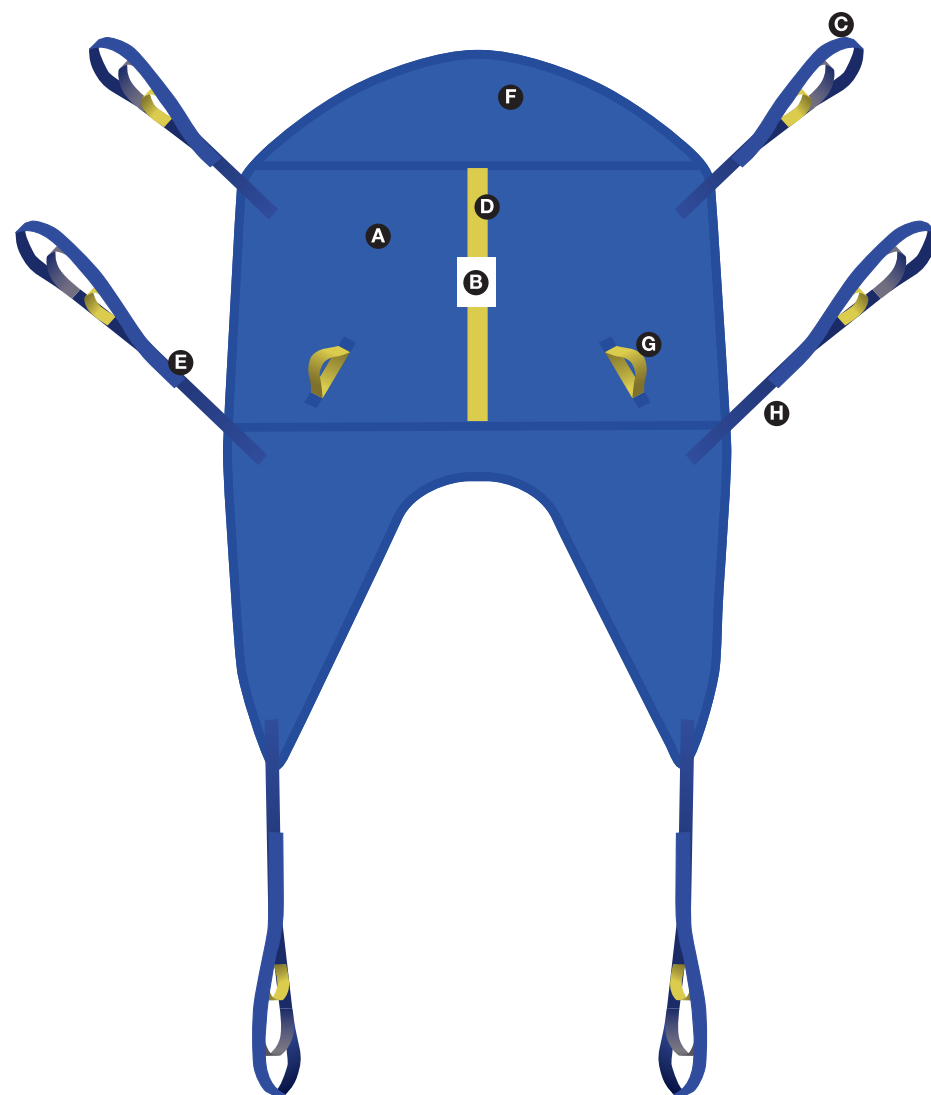


C-SERIES WEIGH SCALE HOOK ASSEMBLY

The Weigh Scale Hook Assembly is attached to the scale to allow it to connect to the C-Series Shackle Arm. The lever is used to unlock the hook to allow the Scale Assembly to be removed.



ANATOMY OF A SLING



A. FABRIC

Available in nylon, mesh, quilted or padded materials.

B. LABEL

Identifies serial number, weight capacity, size, and washing instructions.

C. ATTACHMENT LOOPS

Multiple color coded attachment loops attach to carry bar or portable lift and allow for adjustments to optimize patient comfort and positioning.

D. SIZE INDICATOR

The stripe along the spine of the sling and handles are color coded as a quick reference for size.

E. STRAPS

Enable the secure fastening of sling for patient stability and comfort.

F. OPTIONAL HEAD SUPPORT

Provides additional support for clients with limited control. Optional on the Universal Sling and standard with the Hammock Sling.

G. SLING HANDLES

Used to aid in maneuvering client.

H. OPTIONAL SLING IDENTIFICATION

Used for identification purposes. Useful for tracking while laundering. See page 34 for details.

SLINGS	UNIVERSAL	HAMMOCK	HYGIENE	POSITIONING	BAND	WALKING*	DELUXE WALKING*	STANDING SLING**	WALKING REHAB	FULL STANDING	TRITURNER	MORGUE	STRECHER
MATERIALS													
Mesh	•	•		•									
Quilted	•	•	•		•			•				•	
Padded	•		•			•	•		•			•	
Nylon				•									
Non-Slip													
Disposable Padded	•											•	
Disposable Polyester				•									
Disposable Quilted					•								
SIZES													
Junior	•	•	•						•			•	
Small	•	•	•		•			•	•			•	
Medium	•	•	•		•			•	•			•	
Large	•	•	•		•			•	•			•	
X-Large	•	•	•						•			•	
XX-Large	•	•	•						•			•	
Standard													
Custom	•	•	•	•	•	•	•	•	•			•	
36x51"				•									
42x78"				•									
36x70"				•									
56x78"				•									
44 x52" (Disposable Only)				•									
OPTIONS													
Buckle			•				•	•	•				
Velcro			•			•	•		•			•	
Handles & Loops													
EASE OF APPLICATION													
Easy			•		•	•	•	•				•	
Moderate	•			•					•				
More Difficult		•											

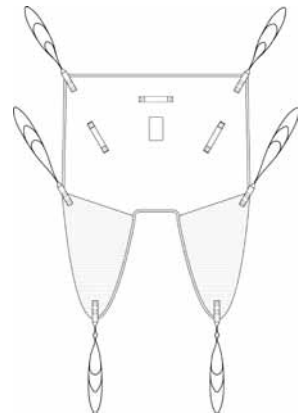
* Walking slings are specifically designed so weight bearing individuals can ambulate safely.

** Full support standing slings provide more support than a walking sling. It is designed to assist a person to stand and perform a weight bearing transfer.

PREMIUM SLINGS

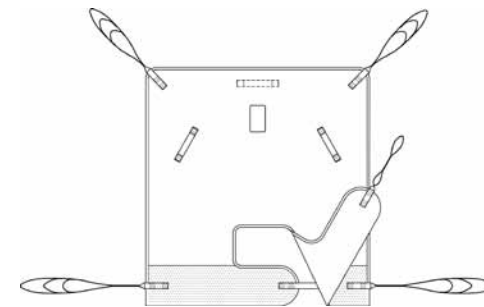
PREMIUM UNIVERSAL SLING

The Universal Sling is the most commonly supplied sling for general transfer purposes. The universal is easy to fit yet is very supportive. It can be used in a divided leg or cross over position.



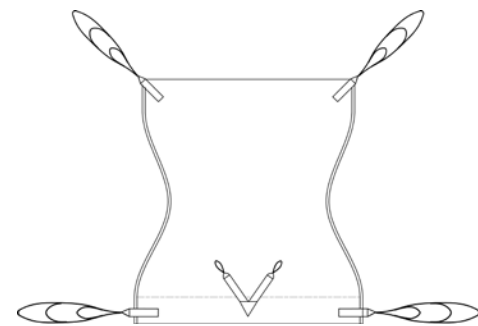
PREMIUM HAMMOCK SLING

The Hammock Sling provides maximum support to the sacral area and is used in cases where the universal sling is unsuitable because the individual has poor body tone. The sling can be used in a divided leg or cross over position; this also provides good support for amputees.



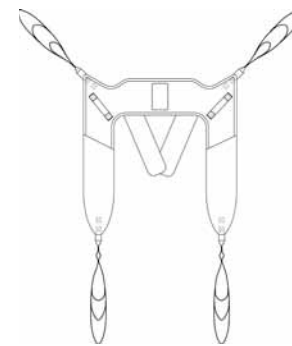
PREMIUM COMFORT RECLINE SLING

The Comfort Recline Sling is designed for the amputee client but it is also suitable for clients who have to remain in the sling for extended periods. The spacer material is fully breathable and stretches to mold to the shape of a chair. The sling features elasticated sections which allow the straps to be folded safely out of the way when the client is seated.



PREMIUM DUAL ACCESS SLING

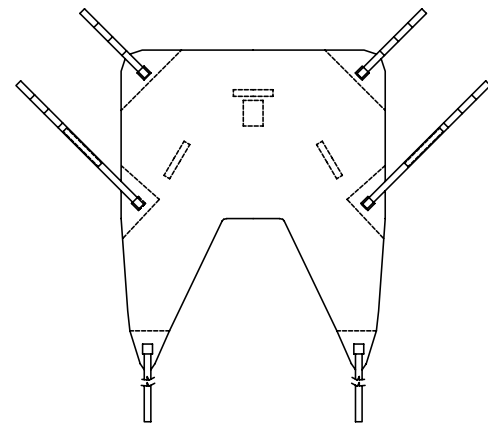
The Dual Access Sling is designed to be used with either a ceiling lift or a stand aid. It gives access to be able to remove and refit lower garments for toileting transfers while the client is in the sling.





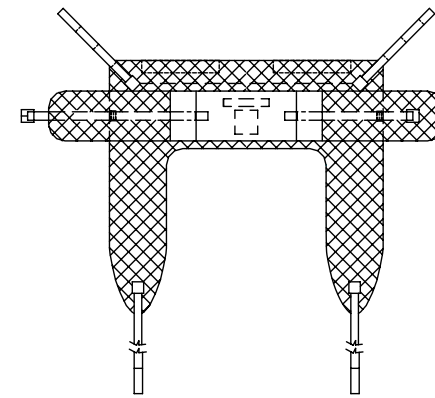
UNIVERSAL SLING

The Universal Sling is easy-to-use and easy-to-fit. It is a multi-purpose sling that provides toileting access as well as good back and thigh support. The sling comes with leg, hip and shoulder straps and features loops to accommodate various seating positions. Available in mesh, quilted or padded material, the Universal Sling can also be



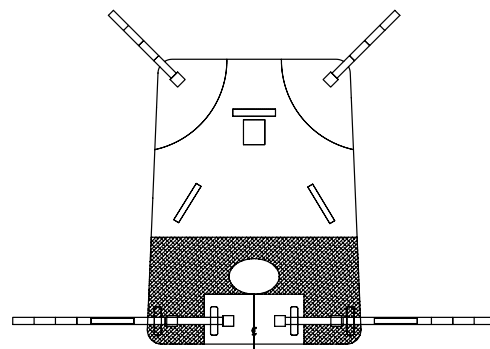
HYGIENE SLING

The Hygiene Sling was specifically designed for toileting and hygiene functions. Access is unrestricted for most users, making this sling ideal for independent transfer and toileting. The Hygiene Sling features quilted material and comes with leg and shoulder straps with loops for various seating positions. A wide strap across the chest, available with velcro or buckle attachment, provides additional upper body support.



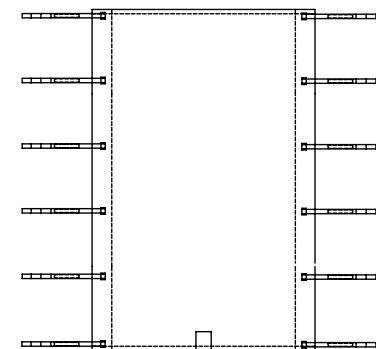
HAMMOCK SLING

Acknowledged by professionals as the most comfortable and supportive sling for both home and institutional use, the versatile Hammock Sling combines toileting access with full body and head support. The sling comes with leg and head straps and features loops to allow for various sitting positions. The Hammock is available in either mesh or quilted material.



POSITIONING SLING

The Positioning Sling is intended to be permanently in place as part of the bedding. The sling has several pairs of straps and features loops to offer support in various positions. Repositioning and turning, done manually under time pressure, poses a significant risk of injury to caregivers. The Positioning Sling is designed to address that risk. The sling is also used for transfers to other horizontal surfaces.





TRI-TURNER SLING

Ideal for turning a client into a lateral, resting position, the Tri-Turner sling also has a sewn-in Velcro Loop & Hook to attach the sling to the bed, providing a more comfortable turn for the client.

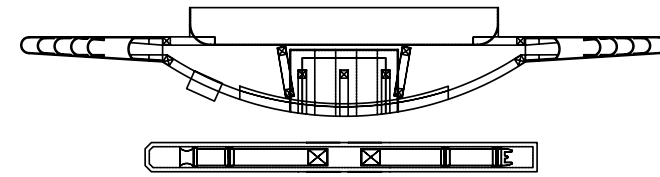


BAND SLING

Ideal for supporting limbs to facilitate change of dressing on arms, hands, legs, feet or to elevate and hold limbs during surgery.

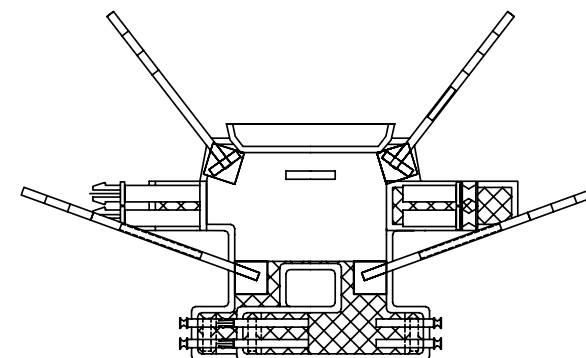
STAND-AID SLING

Designed by Prism Medical's expert research team, the Stand-Aid Sling will comfortably wrap around the patient's waist and with limited pressure will help raise the person to a standing position. The Stand-Aid Sling is padded for extra comfort and comes with Prism Medical's signature loop design, which allows for greater options for comfort when performing the lift. The Prism Medical Stand-Aid Belt is removable and sold separately.



FULL STANDING SUPPORT SLING

The Standing Sling is a dual purpose sling affording a natural sit to stand movement. Functional from both bedside and chair surface, this sling encourages pivot transfers, ambulation and toileting.

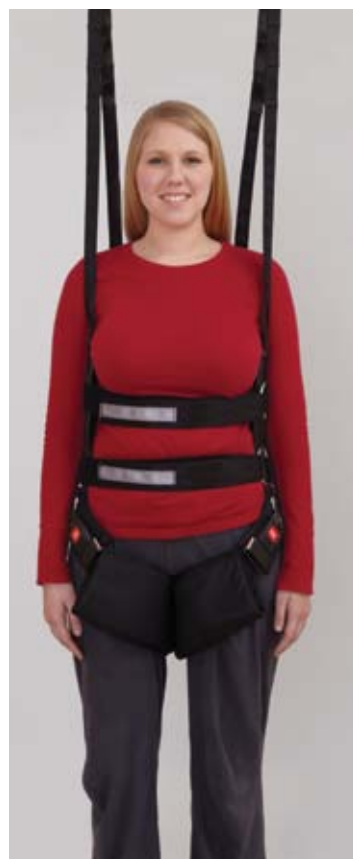




WALKING



DELUXE WALKING



REHAB WALKING

WALKING SLING

The Walking Sling was developed with the help of physical therapists. This supportive sling assists in the safe lifting of individuals from a seated to a standing position. The Walking Sling offers upper body support and freedom of movement to individuals performing exercises in a rehabilitation setting.

DELUXE WALKING SLING

The Deluxe Walking Sling is the new generation of slings for support during ambulation. This sling features all of the same features of the Walking Sling, but offers additional adjustment around the torso.

REHAB WALKING SLING

Prism Medical's ErgoSafe® Rehab Walking Sling provides a natural sit to stand movement with Non-slip fabric to keep the patient stationary while moving. The Rehab Walking Sling is functional from both bedside and chair surface and encourages pivot transfers, ambulation and toileting.

CUSTOM SLINGS

Although we offer over 100 standard slings, everyone is unique and their needs are different. That is why we will customize any of our standard slings to help suit your needs better. You can modify an existing sling design, like adding an extra strap, or we can start right from scratch. Before creating a custom sling, our engineering department reviews the design to ensure that there will be no loss of integrity with the changes. Once the custom sling has been made by our in-house sling manufacturing, we weight test each custom sling to ensure its strength. Common customizations include adding: loops, straps and padding.



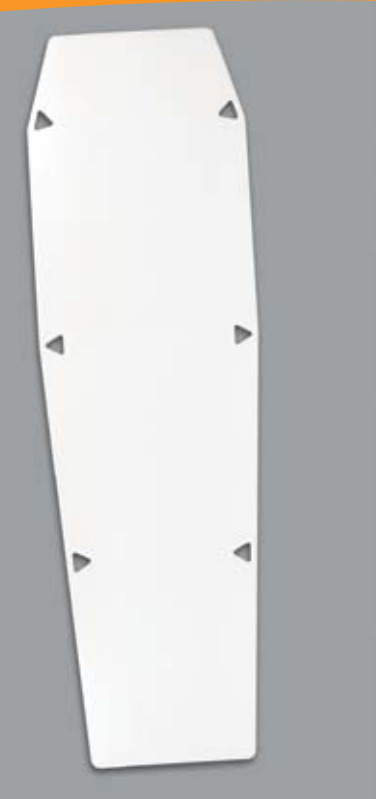
EMBROIDERY & SLING LABELING

Embroidery and custom labeling are available for all Prism Medical slings. This substantially improves sling identification to ensure that it makes it back to the correct department or unit.

SLING SIZING CHART

Prism Medical offers a wide range of standard sizes to be sure to accommodate the needs of a diverse patient/resident population. Here are some general guidelines for sizing Prism Medical slings.

Size	Height	Weight
Junior	<4'	<110 lbs
Small	4'-5'6"	95 lbs-150 lbs
Medium	5'-6'	125 lbs-250 lbs
Large	6'-7'	250 lbs-400 lbs
X-Large	6'-7'	400 lbs-480 lbs
XX-Large	>6.5'	>480 lbs



TRANSFER BOARD

A white high density polyethylene transfer board made from radiolucent material used in x-ray and imaging departments. Straps are separate from board and clip on for lifting so the board can be left on imaging table.



STRETCHER SLING

The stretcher sling is a custom ordered metal frame with blue mesh. Four Straps with two loops are sewn directly to the metal frame. The sling has a velcro fastener to allow it to be easily removed from the frame. Can be used with any standard C-Series carry bar.



MORGUE SLING

The morgue sling is a total of 4 bands made out of 2" black webbing. The straps have 2 loops. Each band is a total length of 54" from loop to loop. To be used with morgue carry bar only.



PREMIUM CLIENT-SPECIFIC SLING



BAND CLIENT-SPECIFIC SLING



UNIVERSAL CLIENT-SPECIFIC SLING



TRI-TURNER CLIENT-SPECIFIC SLING



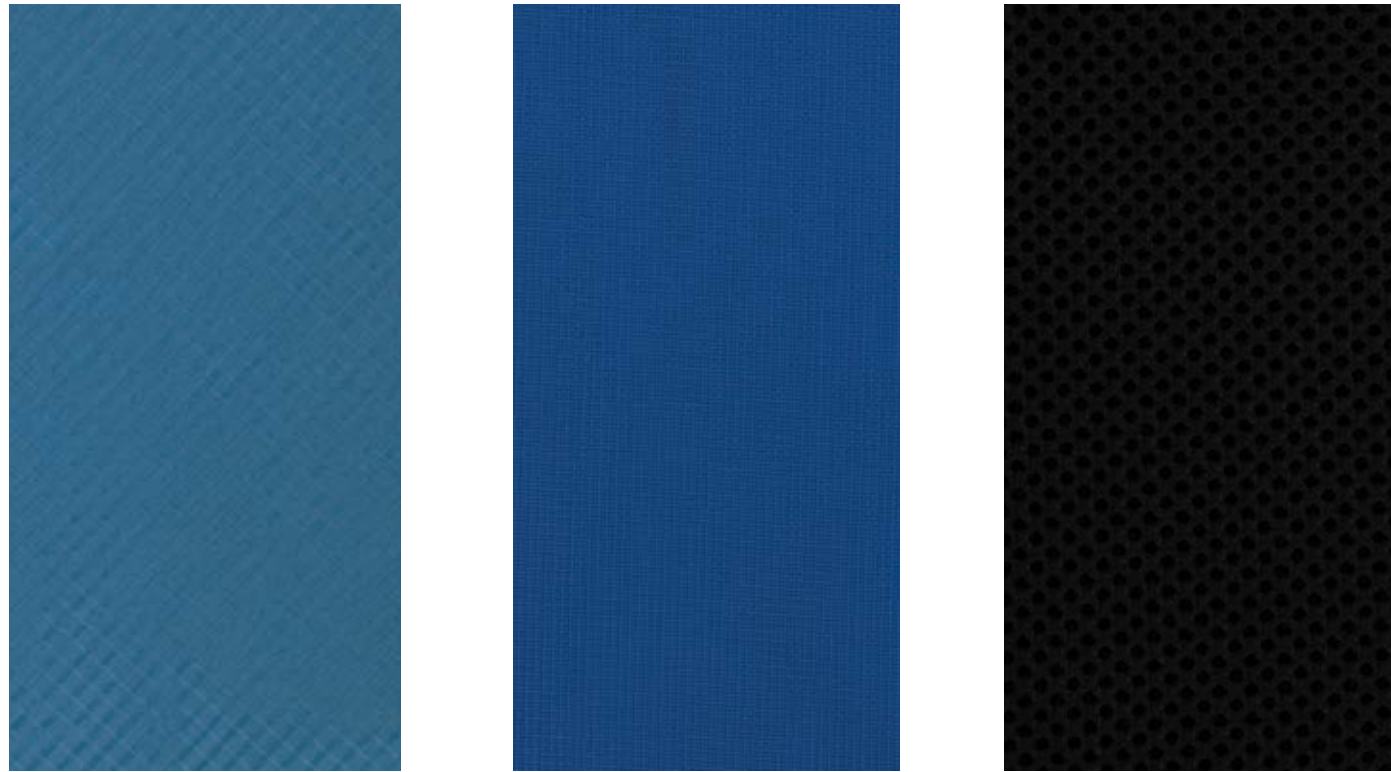
POSITIONING CLIENT-SPECIFIC SLING

CLIENT SPECIFIC SLINGS

CLIENT SPECIFIC SLINGS

Prism Medical is pleased to be able to offer Client-Specific slings. With infection control becoming an area of greater focus and attention, Prism Medical has the solution. Client-Specific Slings are designed to be used by one individual and disposed of when; a) the patient/resident no longer requires or b) the sling is soiled. The Client-Specific slings are based on the design, safety, comfort and application of the Prism Medical sling patterns. Label indicates when the sling is in need of disposal. Typical safe use ranges from 1-3 months (dependent upon frequency of use). Available in the Universal, Band, Positioning, Hammock, and Tri-turner.

PREMIUM SLING FABRICS



SLING FABRICS



MESH

QUILTED

PADDED

NYLON

FEATURES



SLING LABEL



END LOOPS



JUNIOR SIZE
GREY

SMALL SIZE
RED

MEDIUM SIZE
YELLOW



LARGE SIZE
GREEN

XL SIZE
BLUE

XXL SIZE
BLACK

TRACK SYSTEM



TRACK

Prism Medical standard aluminum track can be used in linear rail applications or as the support rails for an X-Y gantry system. Available in 6'4" (1.93 m), 8'2" (2.5 m), 10'2" (3.07 m), and 16'5" (5.0 m) lengths.



SUPERTRACK

The thicker profile of the Prism Medical SuperTrack allows for extended spans between supports, making it ideal as the traverse boom for X-Y gantry systems and for Wall Mounting applications. Available in 10' (3.0 m) and 12'6" (3.75 m) lengths.



TRACKPLUS

Prism Medical's Trackplus is most commonly used to accommodate longer, unsupported spans. Available in 16.5' (5.0 m) and 19'8" (6.0 m) lengths.

See page 65 for detailed specifications.



45 DEGREE CURVE TRACK

Curved tracks are used to change the direction of tracks in a single track system. The 45 Degree Curve can be used with other straight or curved tracks. Available in "inside" and "outside" designs to allow for the finished side of the track bracket to remain consistent throughout the installation.



90 DEGREE CURVE TRACK

Curved tracks are used to change the direction of tracks in a single track system. The 90 Degree Curve can be used with other straight or curved tracks. Available in "inside" and "outside" designs to allow for the finished side of the track bracket to remain consistent throughout the installation.



QUICK CURVE

The Quick Curve is Prism Medical's newest addition to our track options. This patent pending technology is currently available for the P-Series and C-Series Manual Ceiling Lifts. The Quick Curve is a 90 degree curve with a turning radius of 8" potentially avoiding the requirement for more costly installation options. Mounted only to the adjacent sections of straight track, the Quick Curve offers a more cost effective installation.

TRANSSTRIP TRACK



TRANSSTRIP TRACK

Prism Medical standard Transstrip track is available in 10'2" (3.07 m) lengths and is used for Power XY gantry and Omni-Charge (constant charge) applications. The slot at the top of the track allows for the insertion of the Transstrip.



TRANSSTRIP SUPERTRACK

Prism Medical Transstrip SuperTrack track is available in 12'6" (3.75 m) lengths and is used for Power XY gantry and Omni-Charge (constant charge) applications. The slot at the top of the track allows for the insertion of the Transstrip.



TRANSSTRIP TRACKPLUS

Prism Medical Transstrip TrackPlus track is available in 19'8" (6.0 m) lengths and is used for Power XY gantry and Omni-Charge (constant charge) applications. The slot at the top of the track allows for the insertion of the Transstrip.

TRACK END CAPS

The End Caps are used at the end of the track to maintain an aesthetically pleasing installation, and ensure the final finished appearance for the complete assembly.



TRACK END CAP



SUPER TRACK END CAP

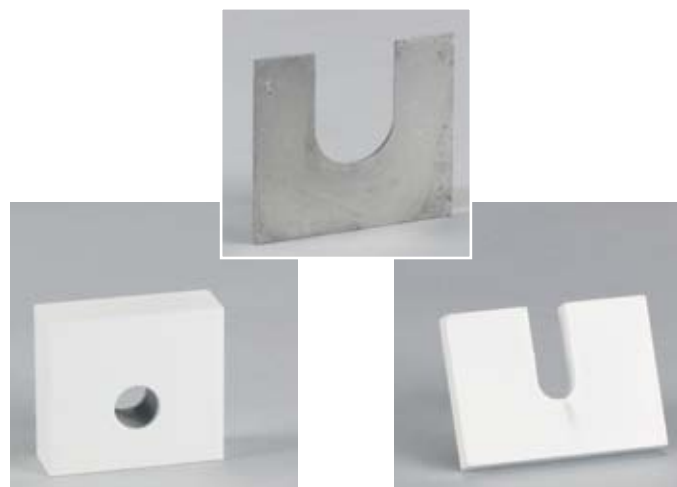


TRACKPLUS END CAP



END-STOP & END-STOP SAFETY PIN

The End-Stops hold the lift or X-Y Gantry trolley set inside the track and are located at each end of the track. The End-Stop Safety Pin is an additional safety measure.



ALUMINUM SHIMS

Aluminum Shims are used to level track or suspend track below the ceiling. Shims are available in 1", 3/8", and 0.08" sizes.



X-Y GANTRY MANUAL TRAVERSE

The Traversing X-Y Gantry Trolley Set is used to connect the traversing boom to the parallel support rails for an X-Y gantry system.



X-Y GANTRY MANUAL TRAVERSE ABOVE MOUNT

The X-Y Gantry Manual Traverse - Above Mount is used where additional lifting height is required. The Traversing rail travels at the same height as the support rails.

WALL MOUNT BRACKET

The Wall Bracket allows for track to be installed directly into the wall where ceiling mounted applications are not practical.



WALL MOUNT 6" CONNECTOR BRACKET

Sold separately, the Wall Mount 6" Bracket is used with the Heavy Duty Wall Bracket to attach the track.



WALL MOUNT SYSTEM

Prism Medical's Wall Mount System is used as an alternative to ceiling mounting. The system comes complete with all hardware and can be attached directly into drywall provided that it is at least 3/8" thick. Quickly installed, the Wall Mount System offers the same stability as ceiling installations.

POWER MULTI-PORT TURNTABLE

The Power Multi-port Turntable offers the end-user ultimate flexibility in situations that require access to a number of transfer locations. The turntable provides 14 take-off points.



MULTI-PORT TURNTABLE 16 PORT

The Multi-Port Turntable provides the end-user with ultimate flexibility in lift and transfer situations that demand a wide range of locations. The turntable provides 15 different ceiling track take-off points at 22 degree intervals. The turntable is easily rotated with the use of a simple pull cord mechanism.



QUICK-FIT TURNTABLE

The Quick-Fit Turntable allows for directional change at 90 degree intervals. The turntable is rotated using a simple pull cord mechanism.



CEILING BRACKETS (3" & 6")

The 3" Ceiling Bracket is used to fasten the track to the building structure. Brackets are spaced for load distribution. The 6" Connector Bracket is used at track joints. Track brackets are available with either 3/8" or 1/2" slotted openings to accommodate the respective mounting hardware.



TRANSITION-GATE

The Transition-Gate enables a transfer between an X-Y gantry and a single track. The Transition-Gate's revolutionary design does not require the use of any electrical components. Simply driving the lift into the gate locks it in place to transfer to the other rail. Also available for Track Plus.



CONNECTOR BRACKET - RIGHT AND LEFT

The Connector Brackets are used to fasten the track to the building structure. They are used at track joints allowing curved track to be reversed.

X-Y GANTRY POWER TRAVERSE

The Traversing X-Y Gantry Power Traverse Trolley Set allows for full power operation of the X-Y gantry boom. The boom travel is activated via buttons on the ceiling lift hand control.



X-Y GANTRY TP MANUAL TRAVERSE

The Traversing X-Y Gantry Trolley Set is used to connect the traversing boom to the parallel support rails for an X-Y gantry system. The difference in the model for the Transportable Lifts such as the P-440 and P-600 is that it does not include any charging connection hardware.



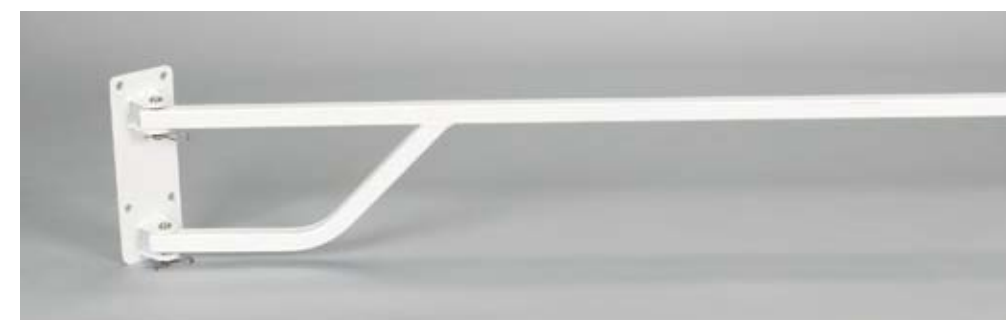
SHOWER CURTAIN ROD ADJUSTABLE

The Adjustable Shower Curtain Rod comes complete with shower curtain and accessories. This Shower Curtain Rod allows for the use of ceiling track in standard bathtubs and eliminates the need for a standard shower curtain rod that would impede the travel of the lift.



CURTAIN BOOM AND BRACKET

The Curtain Boom and bracket is utilized in certain X-Y Gantry installations (Semi-Private Rooms) to maintain privacy between beds. See page 50-51 for additional privacy curtain solutions and detailed specifications.



See page 63-64 for detailed specifications.