

TECHNICAL DATA/SPECIFICATION

MODEL: SRE-2010 ELITE

RATED LOAD: 400 LBS, ONE PASSENGER

POWER SOURCE: 24 VOLT DC COMPRISED OF (2) 7 AMP/HR
12 VOLT SEALED BATTERIES
100-240 VOLT AC 1.5 AMP, 24 VOLT DC 2 AMP
CONTINUOUS MONITORING CHARGER.

DRIVE: 24 VOLT DC DIRECT DRIVE GEAR-MOTOR, 2 POLE
RATED .68 HP, 58:1 RIGHT ANGLE SELF LOCKING
GEARBOX, 41.5 RPM NO LOAD RPM OUTPUT SPEED.

SUSPENSION: RACK & PINION - INTEGRATED 8DP GEAR RACK
ON RAIL WITH A SPUR GEAR ON THE OUTPUT
SHAFT OF THE GEAR BOX.

BRAKING: DYNAMIC MOTOR BRAKING THROUGH THE MOTOR
CONTROLLER, SELF LOCKING WORM GEAR, AND
ELECTRO-MECHANICAL MOTOR BRAKE.

CONTROLS: CONTINUOUS PRESSURE ROCKER SWITCH LOCATED
ON THE ARM REST AND WALL MOUNTED CALL/SEND
CONTROLS LOCATED AT BOTH THE TOP AND BOTTOM
LANDINGS.

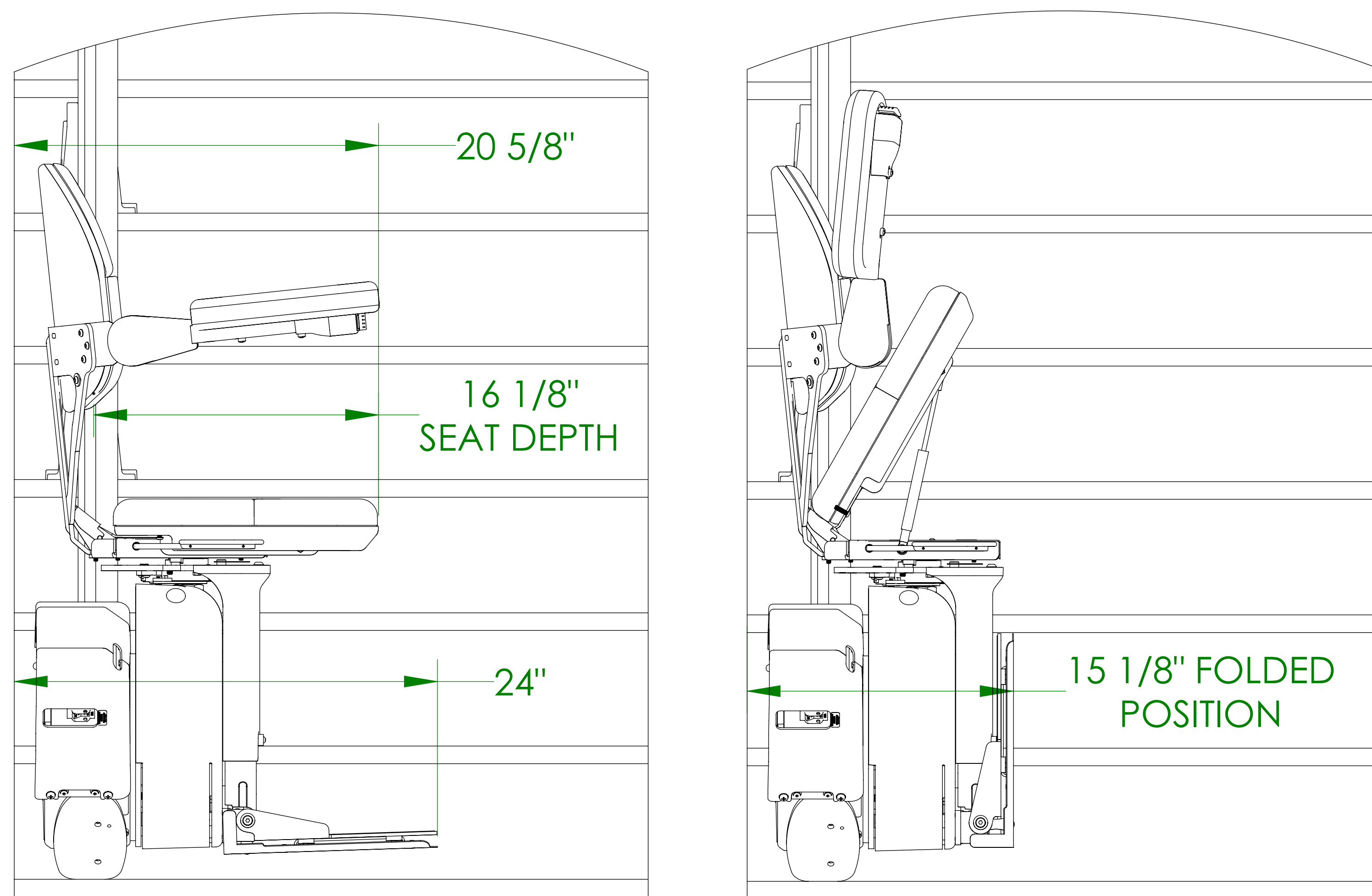
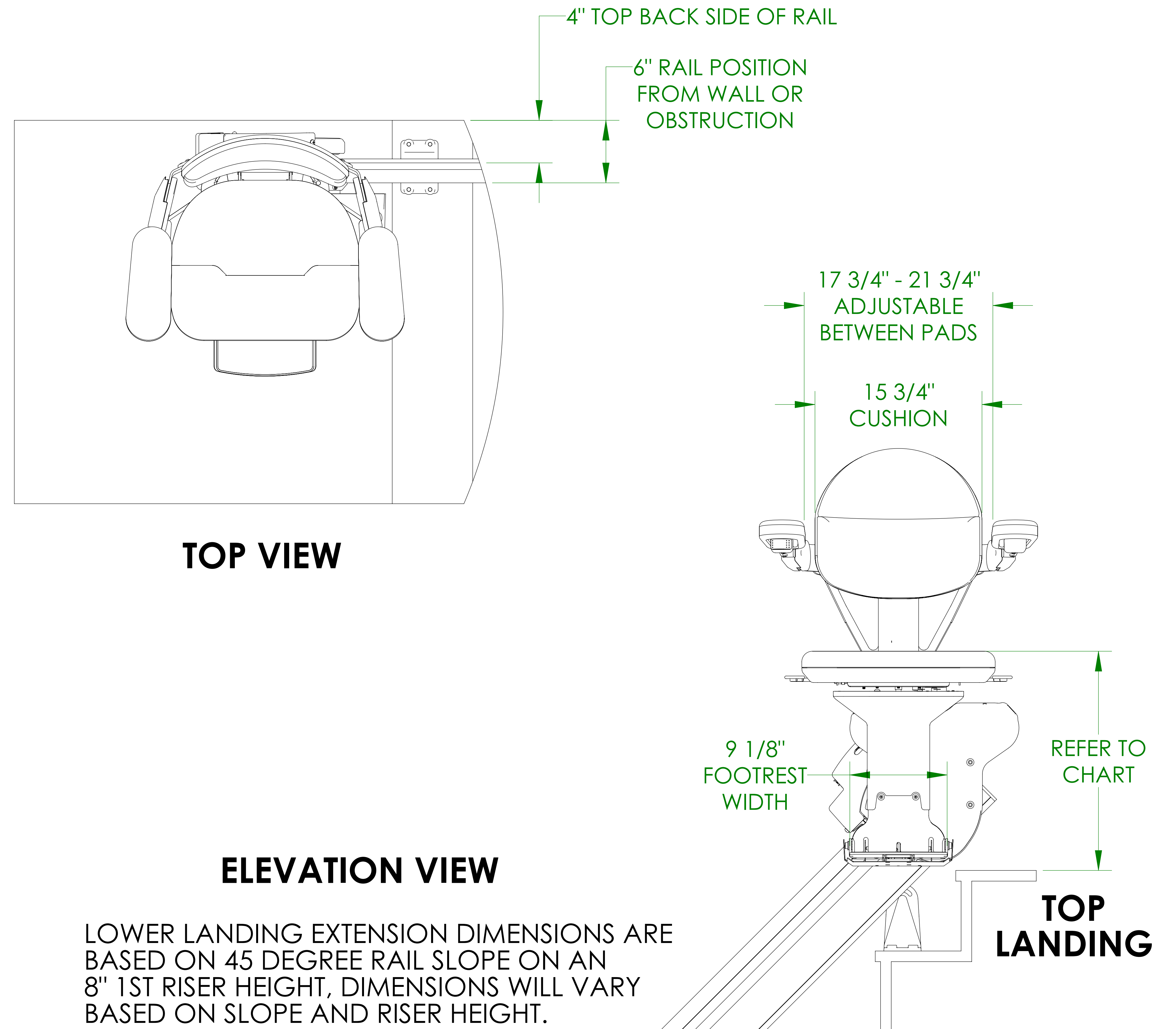
ANGLES: 0 TO 45 DEGREES (SPECIALS UP TO 50 DEGREES) RIGHT
OR LEFT HAND ORIENTATIONS.

KEYED CONTROL ON CARRIAGE

FINAL LIMIT SWITCH STANDARD

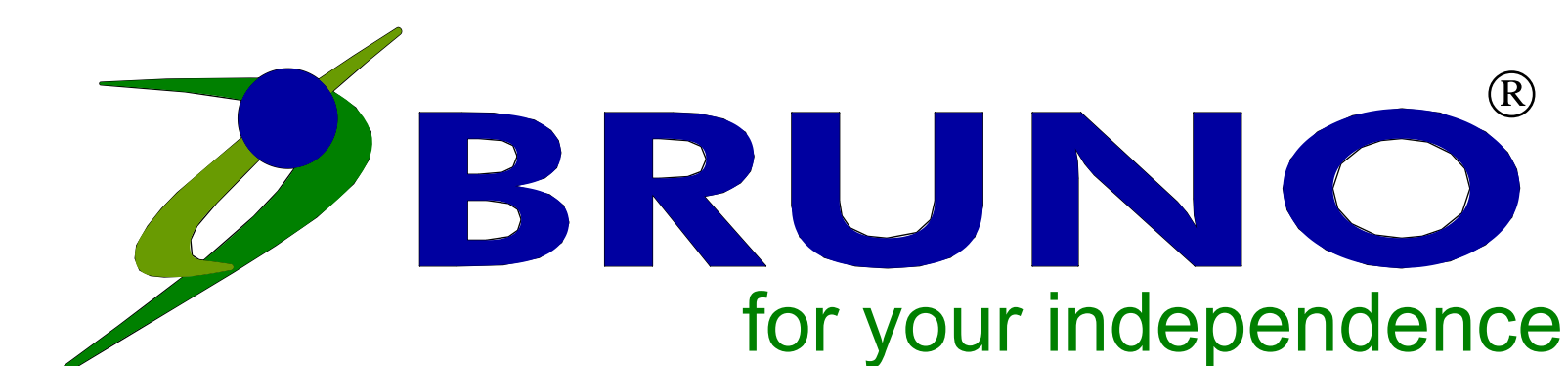
OPTIONS:

- 1) KEYED CALL/SEND CONTROLS,
- 2) COMMERCIAL PACKAGE W/OVERSPEED SAFETY BRAKE.



SIDE VIEWS

1780 Executive Drive
Oconomowoc, WI 53066
Tel 800-882-8181
Fax 262-953-5501
www.bruno.com

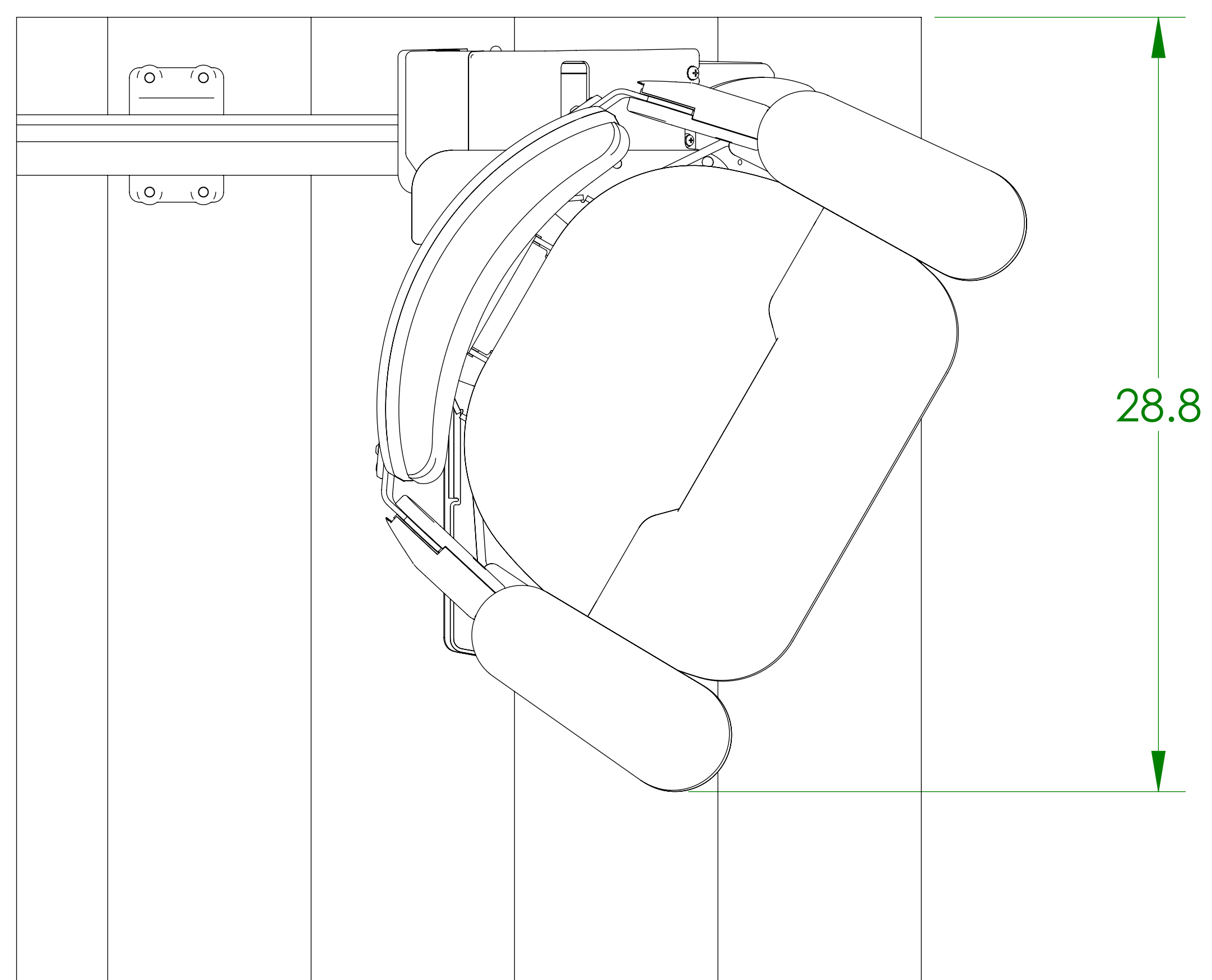


©Bruno Independent Living Aids, Inc.

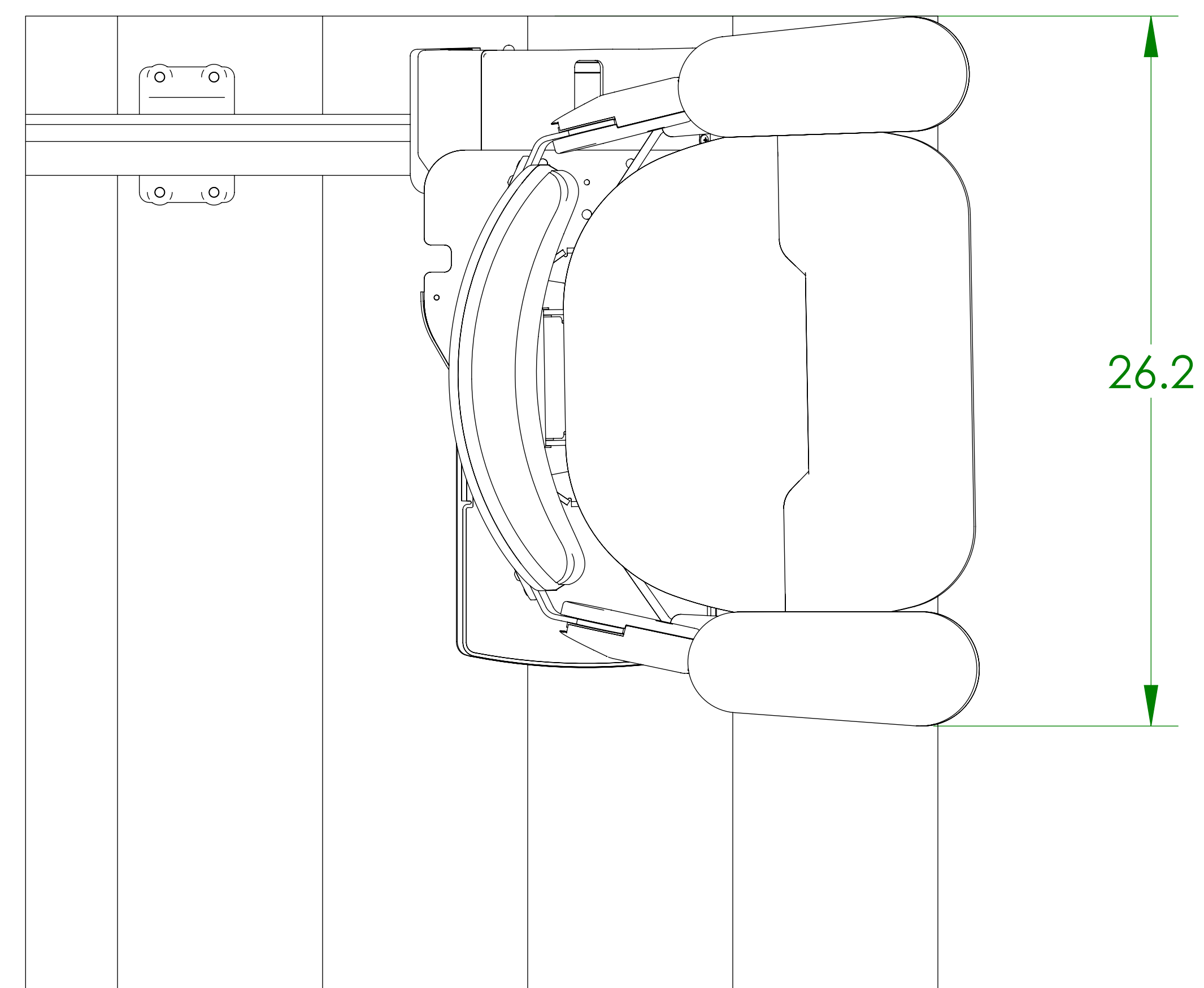
ILS-01343
SHEET 1 OF 3
REV. 1 (6456)(9/01/17)(BHM)

SRE-2010

DISTANCE FROM WALL - SEAT SWIVELED



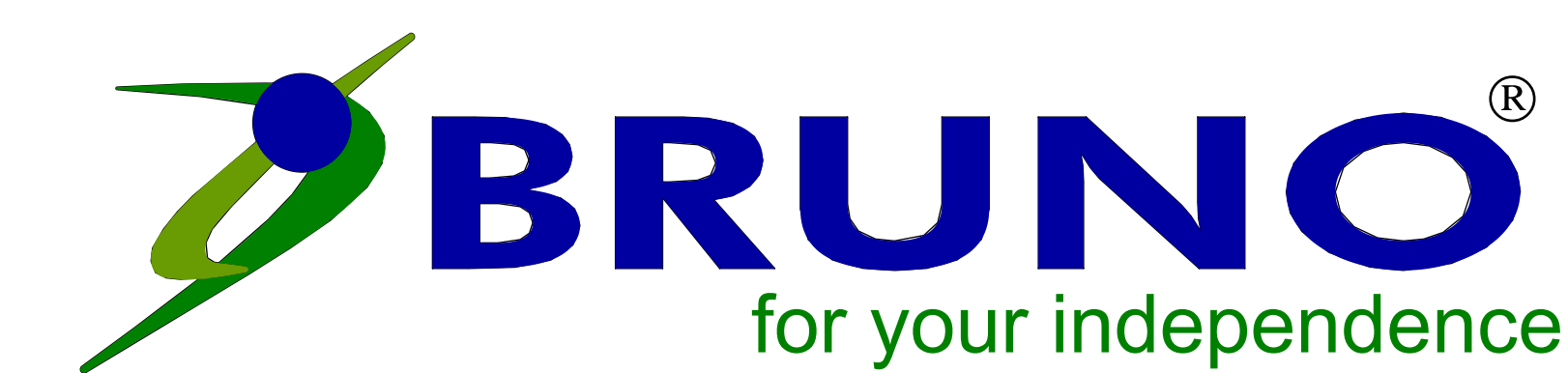
SEAT SWIVELED 60°



SEAT SWIVELED 90°

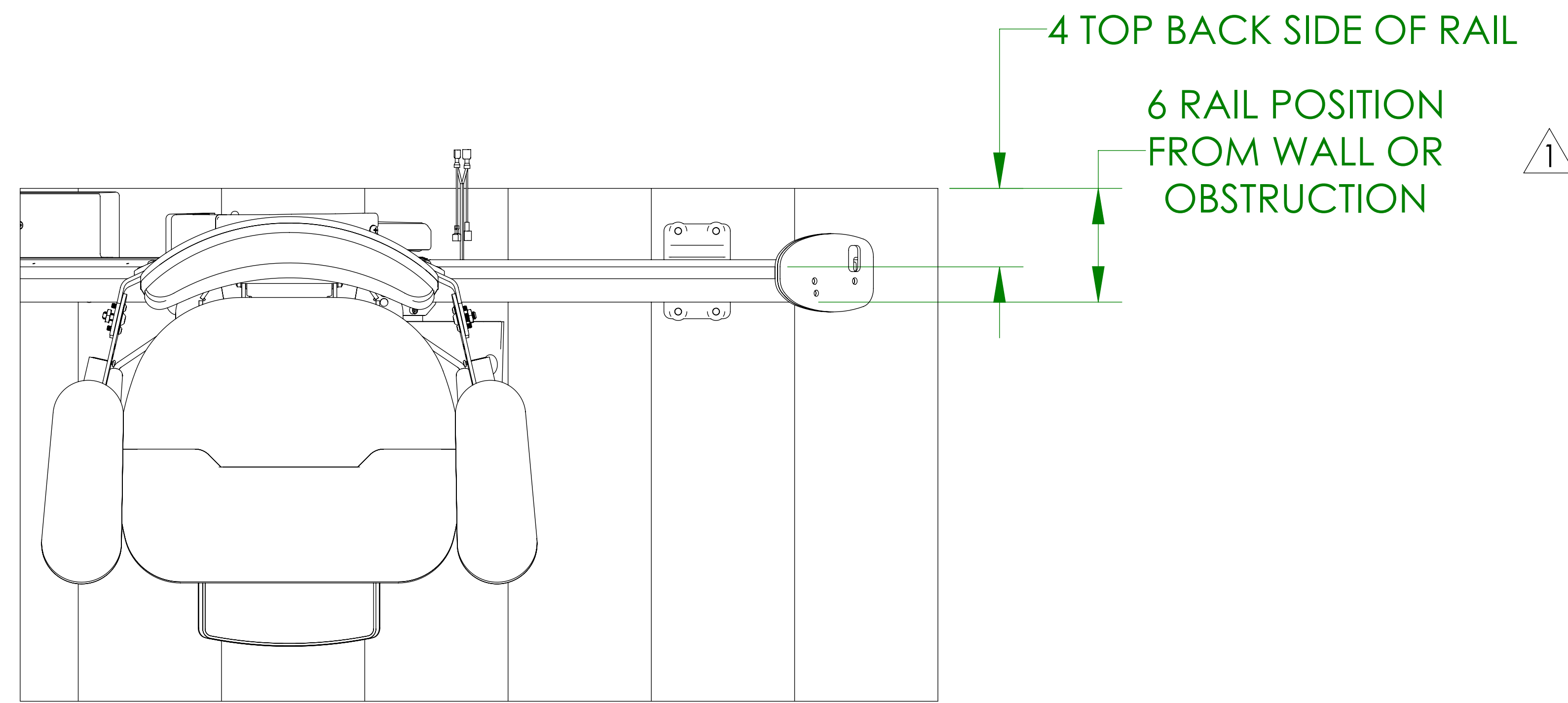
1780 Executive Drive
Oconomowoc, WI 53066
Tel 800-882-8181
Fax 262-953-5501
www.bruno.com

ILS-01343
SHEET 2 OF 3
REV. 1 (6456)(9/01/17)(BHM)



©Bruno Independent Living Aids, Inc.

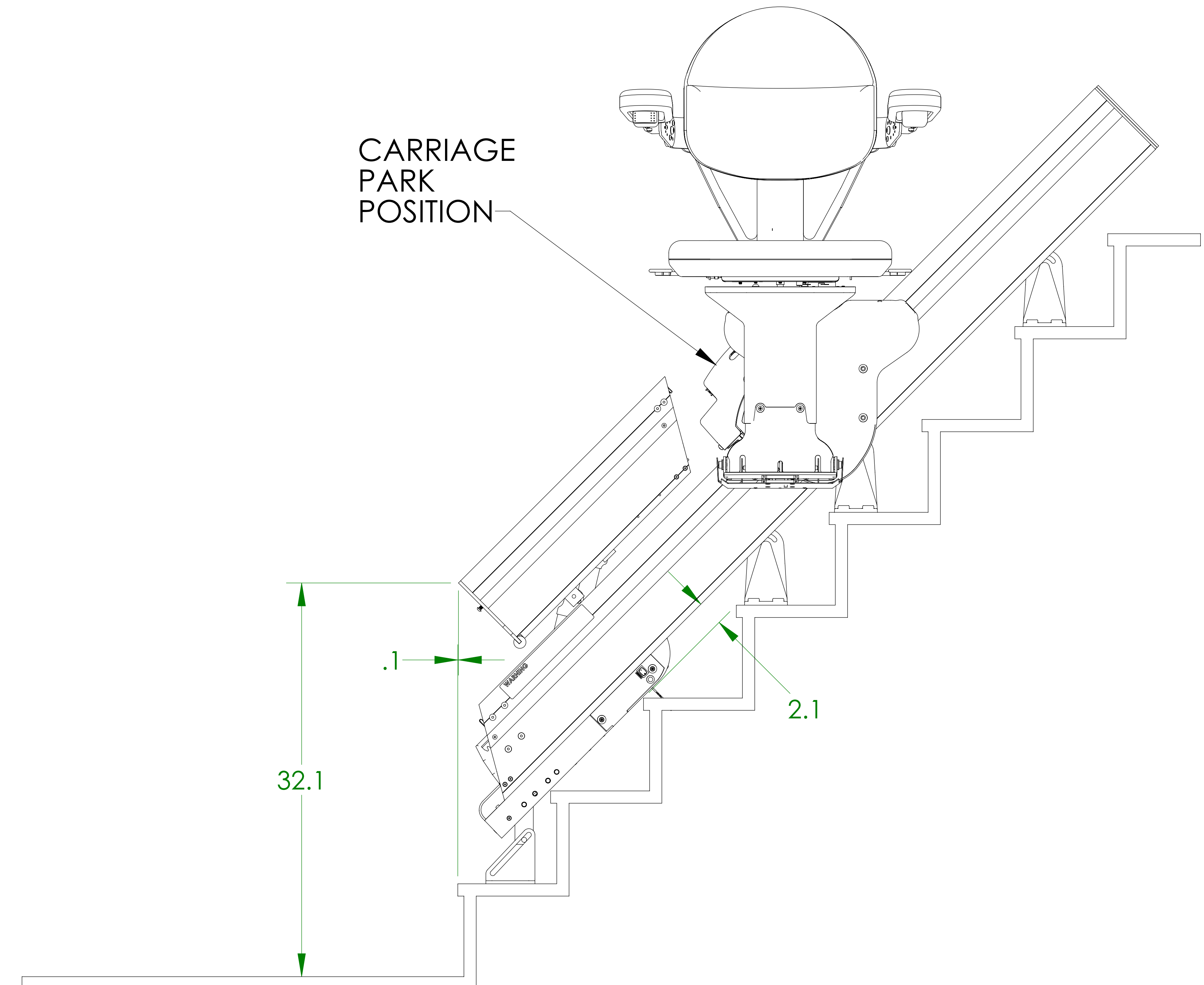
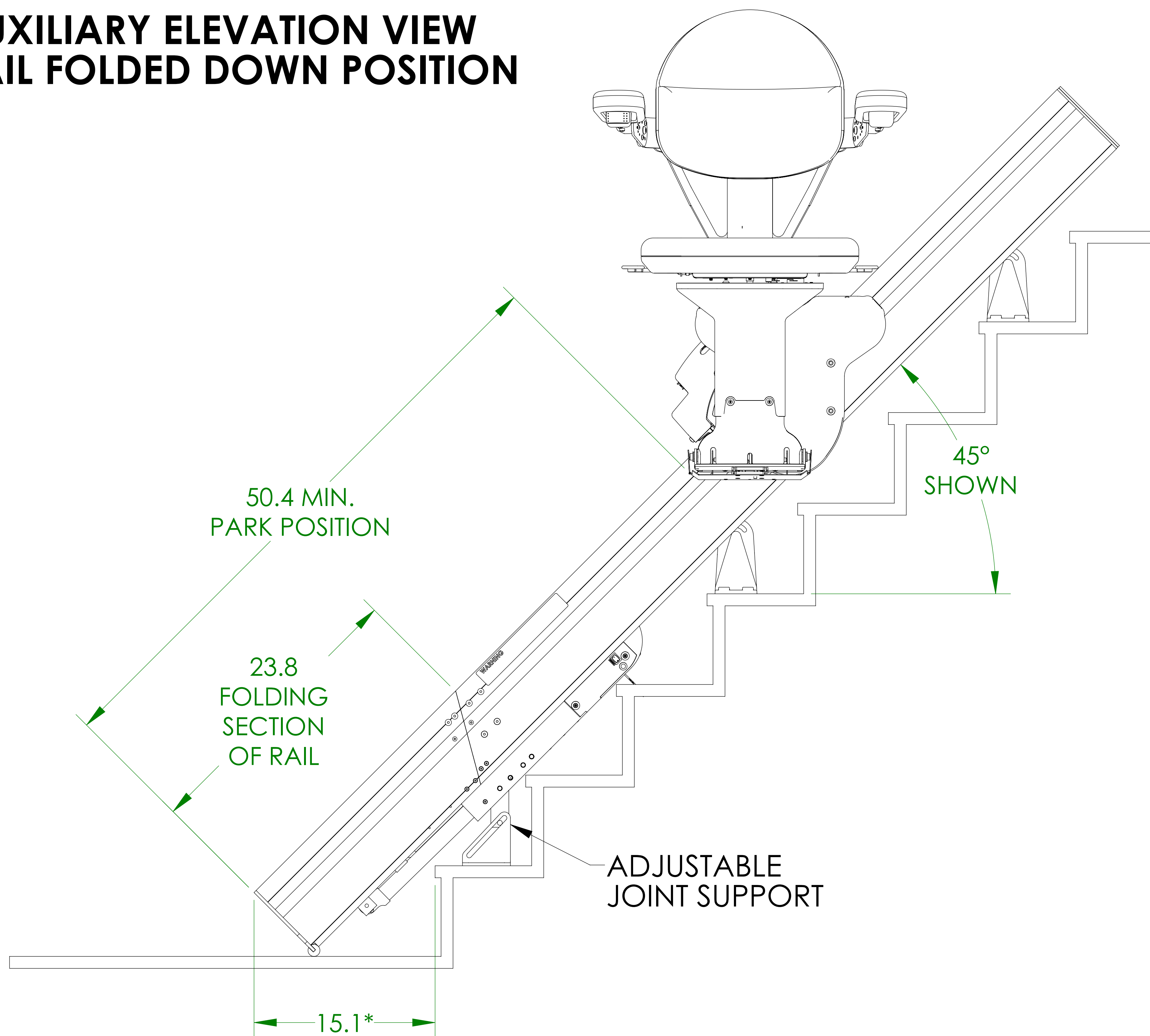
FOLDING RAIL



TOP VIEW

AUXILIARY ELEVATION VIEW
RAIL FOLDED UP POSITION

AUXILIARY ELEVATION VIEW
RAIL FOLDED DOWN POSITION



*LOWER LANDING EXTENSION DIMENSIONS ARE BASED ON 45° RAIL SLOPE AND 8" RISER HEIGHT. DIMENSIONS WILL VARY BASED ON SLOPE AND RISER HEIGHT.

1780 Executive Drive
Oconomowoc, WI 53066
Tel 800-882-8181
Fax 262-953-5501
www.bruno.com