

Mdel 3200

# Wheelchair-to-Water™



SUREHANDS®

From wheelchair to swimming pool with only one assistant



- Transfers directly from wheelchair-to-water
- On castors for easy removal from socket and storage
- Rotates 360 degrees
- Easy to position
- Ergonomic design
- Battery powered
- Maintenance free
- Accommodates both SureHands® Body Support and slings
- Water proof hand control

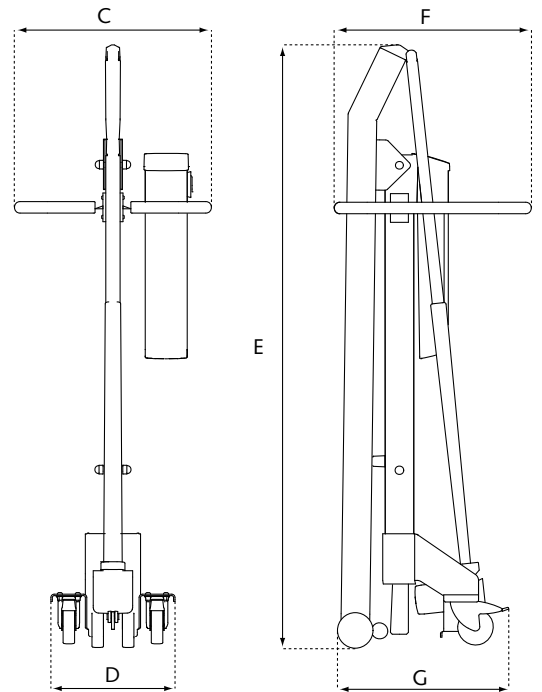
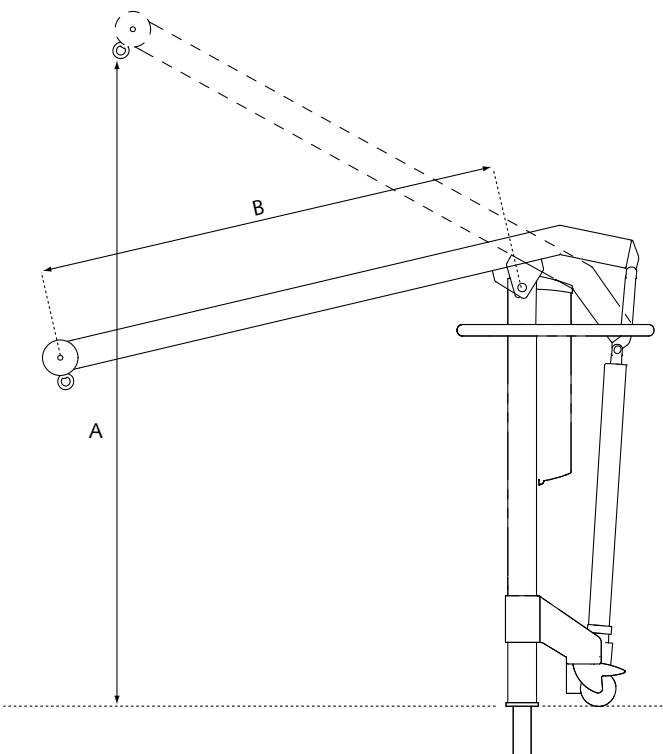
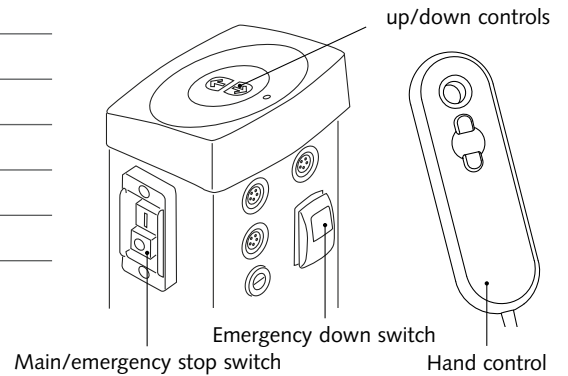
Specialists in innovative and reliable lift & care systems

[www.surehands.com](http://www.surehands.com)

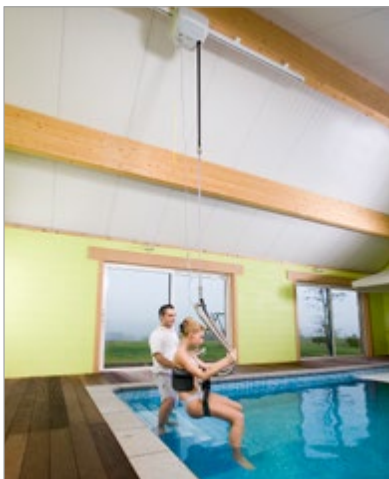
# Wheelchair-to-Water™

## ● Dimensions and specifications

Dimensions (inch/mm)		Specifications	
A	72.44 / 1840.00	Safe working load	300 Lbs / 135.00 kg
B	51.38 / 1305.00	Batteries	2 x 12 Vdc; 6,5 - 7,2 Ah
C	21.26 / 540.00	Charger	separate
D	13.78 / 350.00	Diameter of castors	3.94 inch / 100.00 mm
E	66.93 / 1700.00	Construction	stainless steel 316
F	21.65 / 550.00	Hand control	electrical (IP67)
G	19.69 / 500.00		



## ● Ceiling motor for swimming pools



Lift & Care®  
is a registered trademark of  
T.F. Herceg, Inc. dba SUREHANDS  
LIFT & CARE SYSTEMS.

© 01-03-2021 • Handi-Move • v1.2

Local Representative

